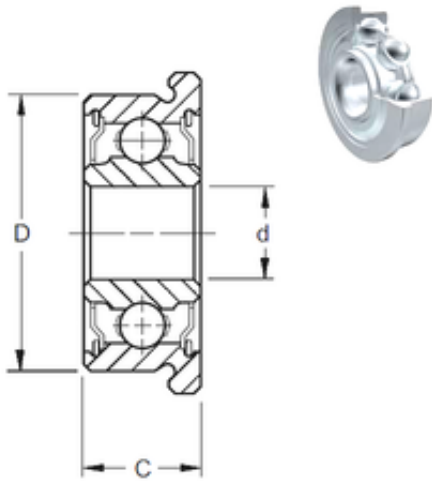




BEARING-MALAYSIA SDN.BHD.



5 mm x 14 mm x 5 mm ZEN F605-2Z Ball bearing

Bearing No. F605-2Z

Size	5x14x5 mm
Bore Diameter	5 mm
Outer Diameter	14 mm
Width	5 mm
d	5 mm
D	14 mm
B	5 mm
C	5 mm
Basic dynamic load rating (C)	1,329 kN
Basic static load rating (C0)	0,507 kN

F605-2Z Bearing 2D drawings and 3D CAD models