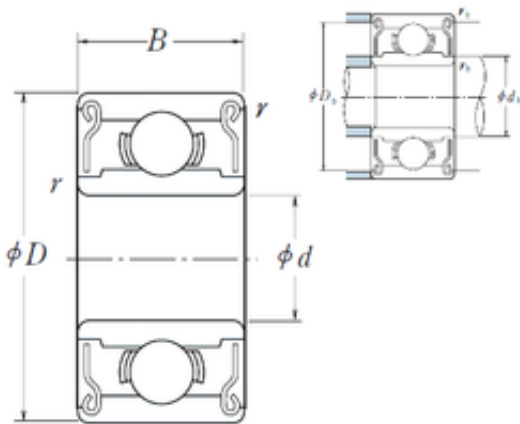




## BEARING-MALAYSIA SDN.BHD.

### 5 mm x 11 mm x 4 mm NSK MR 115 ZZ Ball bearing

Bearing No. MR 115 ZZ



MR 115 ZZ Bearing 2D drawings and 3D CAD models

Size	5x11x4 mm
Bore Diameter	5 mm
Outer Diameter	11 mm
Width	4 mm
d	5 mm
D	11 mm
B	4 mm
C	4 mm
r min.	0,15 mm
db max.	6,3 mm
Db min.	9,8 mm
rb max.	0,15 mm
Weight	0,00149 Kg
Basic dynamic load rating (C)	0,715 kN
Basic static load rating (C0)	0,276 kN