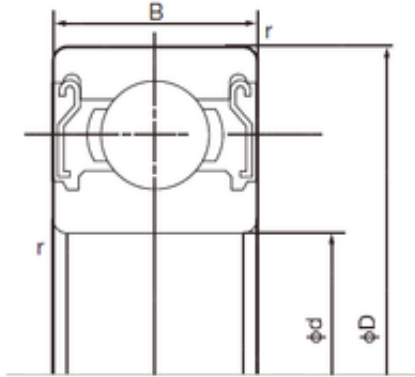




## BEARING-MALAYSIA SDN.BHD.

40 mm x 68 mm x 15 mm NACHI 6008ZZE Ball bearing



Bearing No. 6008ZZE

6008ZZE Bearing 2D drawings and 3D CAD models

Size	40x68x15 mm
Bore Diameter	40 mm
Outer Diameter	68 mm
Width	15 mm
d	40 mm
D	68 mm
B	15 mm
C	15 mm
r min.	1.0 mm
da min.	45 mm
Da max.	63 mm
ra max.	1.0 mm
Weight	0.194 Kg
Basic dynamic load rating (C)	16,8 kN
Basic static load rating (C0)	11,5 kN
(Grease) Lubrication Speed	9500 r/min
Category	Single Row Ball Bearings
Inventory	0.0
Manufacturer Name	NACHI
Minimum Buy Quantity	N/A
Weight / Kilogram	0
EAN	4991893641219
Product Group	B00308
Enclosure	2 Metal Shields
Precision Class	ABEC 1   ISO P0



## BEARING-MALAYSIA SDN.BHD.

Maximum Capacity / Filling Slot	No
Rolling Element	Ball Bearing
Snap Ring	No
Internal Special Features	No
Cage Material	Steel
Internal Clearance	C0-Medium
Inch - Metric	Metric
Long Description	40MM Bore; 68MM Outside Diameter; 15MM Outer Race Width; 2 Metal Shields; Ball Bearing; ABEC 1   ISO P0; No Filling Slot; No Snap Ring; No Internal Special Features; C0-Medium Internal Clearance; Stee
Other Features	Deep Groove
Category	Single Row Ball Bearing
UNSPSC	31171504
Harmonized Tariff Code	8482.10.50.68
Noun	Bearing
Keyword String	Ball
Manufacturer URL	<a href="http://www.nachiamerica.com">http://www.nachiamerica.com</a>
Weight / LBS	0.4541
Outside Diameter	2.677 Inch   68 Millimeter
Inner Race Width	0 Inch   0 Millimeter
Bore	1.575 Inch   40 Millimeter
Outer Race Width	0.591 Inch   15 Millimeter
Bore Type	Cylindrical Bore
Configuration	Single Row
Bore Size	40 mm
Width	15 mm
Fillet Radius/Chamfer	1 mm



## BEARING-MALAYSIA SDN.BHD.

Dynamic Load Rating	16,800 N
Static Load Rating	11,500 N
Limiting Speed - Grease	10,000 rpm
Factor fo	15.3
Radial Clearance	0.006 to 0.020 mm
da (min)	45 mm
Da (max)	63 mm
ra (max)	1 mm