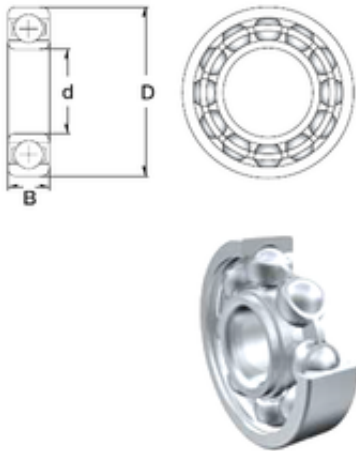




BEARING-MALAYSIA SDN.BHD.



2,5 mm x 7 mm x 3 mm ZEN SX2,5-2Z Ball bearing

Bearing No. SX2,5-2Z

Size	2.5x7x3 mm
Bore Diameter	2,5 mm
Outer Diameter	7 mm
Width	3 mm
d	2,5 mm
D	7 mm
B	3 mm
C	3 mm
Basic dynamic load rating (C)	0,386 kN
Basic static load rating (C0)	0,129 kN

SX2,5-2Z Bearing 2D drawings and 3D CAD models