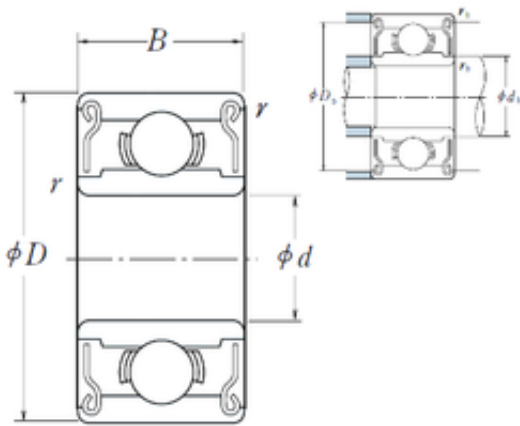




BEARING-MALAYSIA SDN.BHD.



2 mm x 7 mm x 3 mm NSK MR 72 ZZ Ball bearing

Bearing No. MR 72 ZZ

Size	2x7x3 mm
Bore Diameter	2 mm
Outer Diameter	7 mm
Width	3 mm
d	2 mm
D	7 mm
B	3 mm
C	3 mm
r min.	0,15 mm
db max.	3,8 mm
Db min.	6,2 mm
rb max.	0,15 mm
Weight	0,00049 Kg
Basic dynamic load rating (C)	0,385 kN
Basic static load rating (C0)	0,127 kN

MR 72 ZZ Bearing 2D drawings and 3D CAD models