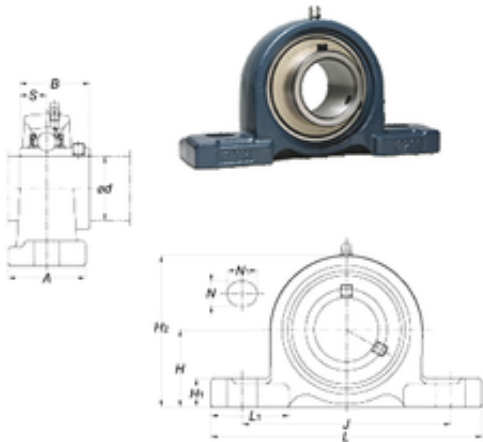




BEARING-MALAYSIA SDN.BHD.

FYH UCPX20 Bearing unit



Bearing No. UCPX20

Bore Diameter	100 mm
Width	117,5 mm
d	100 mm
A	121 mm
B	117,5 mm
H	127 mm
H1	45 mm
H2	245 mm
J	337 mm
L	432 mm
L1	126 mm
N	33 mm
N1	65 mm
S	49,2 mm
Bolt (G)	M27
Weight	30,4 Kg
Basic dynamic load rating (C)	133 kN
Basic static load rating (C0)	105 kN
Category	Mounted Units & Inserts
Inventory	0.0
Manufacturer Name	FYH BEARING UNITS
Minimum Buy Quantity	N/A
Weight / Kilogram	0
Product Group	M06110

UCPX20 Bearing 2D drawings and 3D CAD models