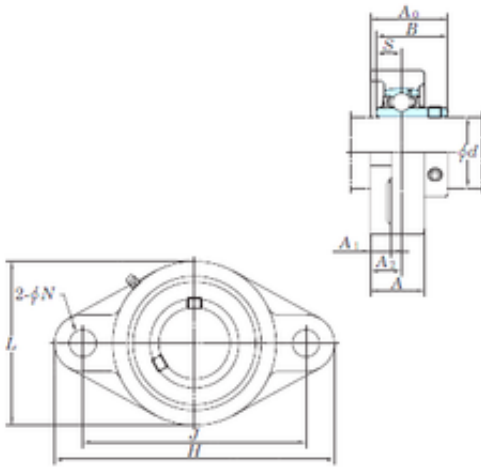




# BEARING-MALAYSIA SDN.BHD.

## KOYO UCFL202 Bearing unit

Bearing No. UCFL202



UCFL202 Bearing 2D drawings and 3D CAD models

Bore Diameter	15 mm
d	15 mm
A0	33,3 mm
A	25,5 mm
A1	11 mm
B	31 mm
H	113 mm
J	90 mm
L	60 mm
N	12 mm
S	12,7 mm
A2	15 mm
Weight	0,48 Kg
Basic static load rating (C0)	12,8 kN
Bearing No.	UCFL202
Bolt size	M10
Cr	12.8
C0r	6.65
f0	13.2
(Refer.)Unit mass(kg)	0.48
Nipple size	1/4-28UNF