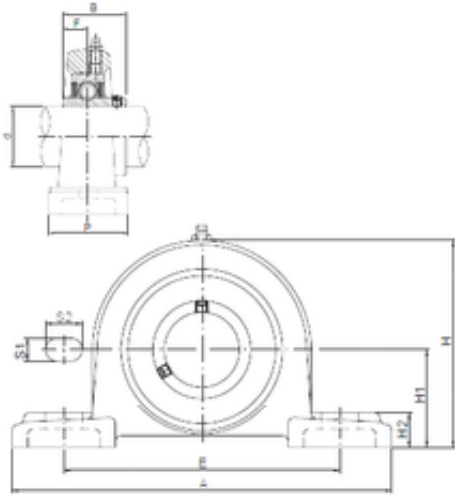




## BEARING-MALAYSIA SDN.BHD.

### ISO UCP207 Bearing unit

Bearing No. UCP207



UCP207 Bearing 2D drawings and 3D CAD models

Bore Diameter	35 mm
d	35 mm
S1	17 mm
P	48 mm
A	167 mm
B	42,9 mm
E	127 mm
F	17,5 mm
H	93 mm
H1	47,6 mm
H2	18 mm
S2	20 mm
Bolt (G)	M14