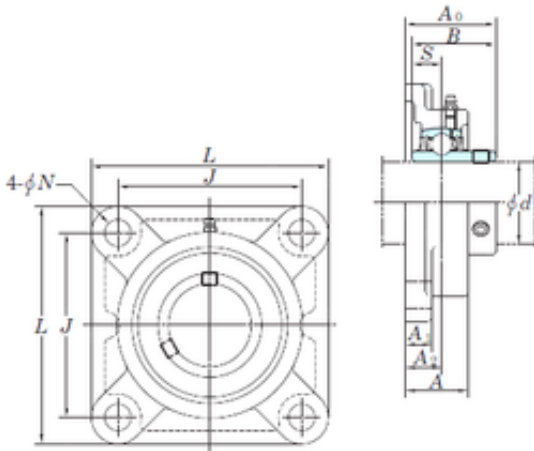




# BEARING-MALAYSIA SDN.BHD.

## KOYO UCFX13 Bearing unit

Bearing No. UCFX13



UCFX13 Bearing 2D drawings and 3D CAD models

Bore Diameter	65 mm
d	65 mm
A0	78,4 mm
A	59 mm
A1	21 mm
B	74,6 mm
J	149 mm
L	187 mm
N	19 mm
S	30,2 mm
Bolt (G)	M16
A2	34 mm
Weight	6,3 Kg
Basic dynamic load rating (C)	62,2 kN
Basic static load rating (C0)	44,1 kN
Bearing No.	UCFX13
Bolt size	M16
Cr	62.2
C0r	44.1
f0	14.5
(Refer.)Unit mass(kg)	6.3
Nipple size	R1/8