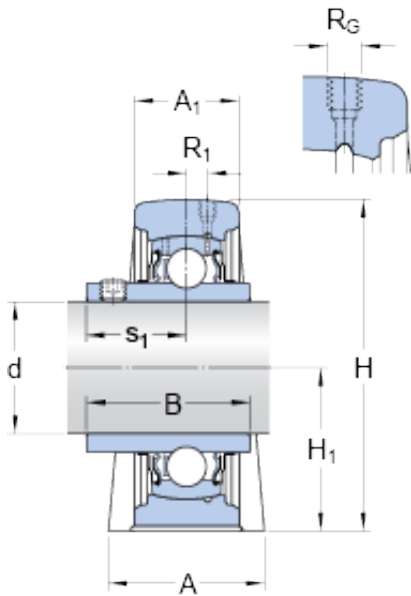




# BEARING-MALAYSIA SDN.BHD.



SYF 25 TF Bearing 2D drawings and 3D CAD models

## SKF SYF 25 TF Bearing unit

Bearing No. SYF 25 TF

Size	25x36x22 mm
Bore Diameter	25 mm
Outer Diameter	36 mm
Width	22 mm
d	25 mm
A	36 mm
A <sub>1</sub>	22 mm
B	34.1 mm
H	70 mm
H <sub>1</sub>	36.5 mm
J	50.8 mm
L	70 mm
s <sub>1</sub>	19.8 mm
D <sub>N</sub>	6.5 mm
SW <sub>N</sub>	7 mm
G <sub>N</sub> - 1/4-28 SAE-LT	1/428 SAELT
R <sub>G</sub> - 1/4-28 UNF	1/428 UNF
R <sub>1</sub>	2 mm
R	45 °
Basic dynamic load rating - C	14 kN
Basic static load rating - C <sub>0</sub>	7.8 kN
Fatigue load limit - P <sub>u</sub>	0.335 kN
Limiting speed	7000 r/min
Calculation factor - f <sub>0</sub>	14



## BEARING-MALAYSIA SDN.BHD.

Weight	0.54 kg
Housing thread for attachment bolts - G	M10
Thread length - G <sub>1</sub>	15 mm
Hexagonal key size for grub screw - H	3 mm
Recommended tightening torque for grub screw	4 N · m
Housing	SYF 505
Category	Pillow Block Bearings
Inventory	0.0
Manufacturer Name	SKF
Minimum Buy Quantity	N/A
Weight / Kilogram	0.52
EAN	7316570780741
Product Group	M06110
Number of Mounting Holes	2
Mounting Method	Set Screw
Housing Style	2 Bolt Tap Base Pillow Block
Rolling Element	Ball Bearing
Housing Material	Cast Iron
Expansion / Non-expansion	Non-expansion
Mounting Bolts	10 Millimeter
Relubricatable	Yes
Insert Part Number	YAR 205-2F
Seals	M Seal
Housing Configuration	1 Piece Solid
Inch - Metric	Metric
Other Features	Single Row   Short Base   Y Bearing   With Grub Screw
Long Description	2 Bolt Tap Base Pillow Block; 25MM Bore; 36.5MM Base to Center Height; Set Screw Mount;



## BEARING-MALAYSIA SDN.BHD.

	Ball Bearing; Relubricatable; Cast Iron; M Seal; Non- expansion
Category	Pillow Block
UNSPSC	31171511
Harmonized Tariff Code	8483.20.40.40
Noun	Bearing
Keyword String	Pillow Block
Manufacturer URL	<a href="http://www.skf.com">http://www.skf.com</a>
Manufacturer Item Number	SYF 25 TF
Weight / LBS	1.15
Length Thru Bore	1.343 Inch   34.1 Millimeter
Nominal Bolt Center to Center	2 Inch   52 Millimeter
Base to Center Height	1.437 Inch   36.5 Millimeter
Bolt Spacing Minimum	0 Inch   0Millimeter
Bore	0.984 Inch   25 Millimeter
Bolt Spacing Maximum	0 Inch   0Millimeter
Actual Bolt Center to Center	2 Inch   52Millimeter
mounting:	Two-Bolt Base
overall length:	3.7031 in
bore diameter:	25 mm
overall height:	3.3125 in
bore type:	Round
finish/coating:	Uncoated
housing material:	Cast Iron
lubrication type:	Lubrication Fitting
locking device:	Set Screw
series:	SYF
expansion type:	Non-Expansion Bearing (Fixed)
standards met:	ISO
Housing material	Cast iron



## BEARING-MALAYSIA SDN.BHD.

A <sub>1</sub>	22 mm
B <sub>4</sub>	5 mm
H <sub>1</sub>	36.5 mm
s <sub>1</sub>	19.8 mm
R <sub>G</sub>	1/4-28 UNF
R <sub>1</sub>	2 mm
R	45 °
D <sub>N</sub>	6.5 mm
SW <sub>N</sub>	7 mm
G <sub>N</sub>	1/4-28 SAE-LT
Basic dynamic load rating C	14 kN
Basic static load rating C <sub>0</sub>	7.8 kN
Fatigue load limit P <sub>u</sub>	0.335 kN
Mass bearing unit	0.54 kg
Housing thread for attachment bolts G	M10
Thread length G <sub>1</sub>	15 mm
Thread grub screw G <sub>2</sub>	M6x0.75
Hexagonal key size for grub screw N	3 mm
Bearing	YAR 205-2F