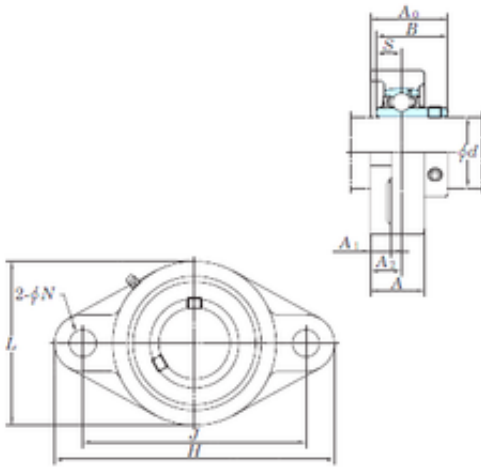




BEARING-MALAYSIA SDN.BHD.

KOYO UCFL209-27 Bearing unit

Bearing No. UCFL209-27



UCFL209-27 Bearing 2D drawings and 3D CAD models

Bore Diameter	42,8625 mm
d	42,8625 mm
A0	52,2 mm
A	38 mm
A1	15 mm
B	49,2 mm
H	188 mm
J	148 mm
L	108 mm
N	19 mm
S	19 mm
A2	22 mm
Weight	1,9 Kg
Basic static load rating (C0)	34,1 kN